



- Secure Managed Services Data Router for Businesses with 50 to 200 Desktops
- Ethernet, Fibre, DSL and/or Mobile Network Access
- Gigabit Ethernet Switching and Wi-Fi
- AppInside for process intensive Service Applications
- Industry Leading Price Performance
- Simple Deployment, Provisioning and Management, Industry standard CLI
- Green Product: Low Power Consumption, No Fan



ABOUT OneAccess

OneAccess designs and develops a range of world-class multi-service routers for over 140 global service provider customers including four of the top five operators in Europe. This makes OneAccess the number two branch office router solution provider in the world by volume.

With an international support network operating from offices in North America, Europe and Asia, OneAccess is able to work closely and cooperatively with all its clients throughout the development and roll-out phases for new services.

Deploy and Accelerate Cloud Services to Branch Offices & Medium Businesses

The ONE1540 is designed to provide offices with 50 to 200 desks with sophisticated, symmetrical broadband, value-add data services. As part of OneAccess' dual-core architecture router range, it is a perfect fit for operators targeting medium-sized enterprises, or branch offices of large enterprises, with a portfolio of managed and value-add Cloud-based services. All this whilst setting a new green benchmark for low power consumption.

The state-of-the-art dual-core processing architecture has a dual purpose: it provides accelerated IP routing and it concurrently provisions AppInside to run Security and Cloud applications and other value-add applications to enhance WAN service delivery and user experience. AppInside examples include NetBooster (improved Cloud performance) and PacketSmart (VoIP monitoring).

Wide Area and Local Area Network Agility

The ONE1540 offers service providers the flexibility to support a wide variety of local and wide area access connectivity speeds and types. For the access network, it supports symmetrical bandwidths up to 1Gbit/sec over multiple WAN access media. It offers standard a combo copper and fibre Gigabit Ethernet WAN interface.

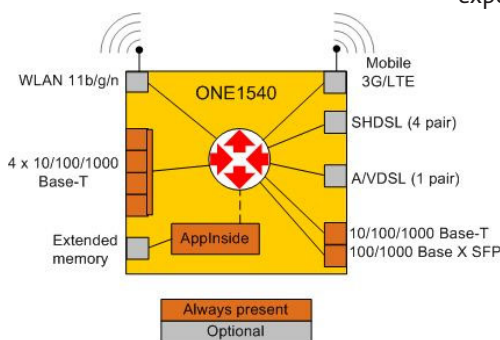
Network redundancy, provided by an optional, second WAN interface enables service providers to offer a cost effective high speed back-up and high availability capability in support of stringent service level agreements or business critical application services. This is provided as a SHDSLbis (Ethernet First Mile) interface offering speeds of up to 22Mbps, a VDSL interface offering speeds up to 100Mbps and/or a 3G or 4G access. In addition to tri-band LTE connectivity, the ONE1540 is backwards compatible with earlier standards like UMTS/ HSPA+ and EDGE/ GPRS and GSM.

IP-PBXs, server rooms and local area networks are connected to each other and the wide area network via the in-built 4 port Gigabit Ethernet switch and benefit from VRF and IPv6 services among others. The ONE1540 can optionally be specified with WiFi.

Reducing Total Cost of Ownership, Accelerated Provisioning

As well as opening the door to new revenue opportunities, the ONE1540 helps achieve long-term cost savings. As a service provider, the opportunity to replace multiple dedicated CPEs (Security, Cloud performance and VoIP troubleshooting) with a single, flexible unit means reduced capital costs and simpler logistics and operations.

Moreover, a suite of provisioning tools makes roll out simpler, less prone to error and significantly more cost effective. For instance, auto-discovery options simplify initial set-ups. Tried and tested configurations can then be 'cloned' to new installations from the network operations centre (NOC). The industry standard CLI removes the need for technician training. A set of embedded tools and service level indicators make it simple to manage and assure the customer experience remotely, virtually removing the need for maintenance truck rolls.





Technical Features



General

- Copper Ethernet, Fibre, VDSL, SHDSL and/or 3G/4G WAN uplinks
- 4 port Gigabit Ethernet LAN switch
- AppInside optional 3rd party applications
- Optional Wireless LAN

Gigabit Ethernet WAN Interface

- Combo UTP 10/100/1000BASE-T & SFP slot
- 100BASE-X & 1000BASE-X SFP modules, GPON ready**
- RJ45 connector for UTP port

SHDSL Interface (factory option)

- G.SHDSLbis ITU-T G.991.2 – 4 line pairs
- ATM and EFM
- Bonding based on EFM, SHDSL or ATM IMA
- TC-PAM 64/128 **
- 2 RJ-11 connectors

VDSL Interfaces (factory option)

- VDSL G.993.2 annexes A&B - 1 line pair
- Profiles 8, 12, 17 and 30
- ADSL G.992.1, G.992.3, G.992.4, G.992.5 - annexes A, B, J, L, M
- RJ11 connector

Wireless Radio Interface (factory option) **

- Tri Band LTE (800, 900, 1800, 2100 and 2600 MHz) with MIMO 2 x 2, Peak Rate Downlink/Uplink 100/50 Mbps depending on carrier network support (4G versions only)
- Dual Band UMTS/HSPA+ (900 & 2100MHz)
- Tri Band Edge/GPRS and GSM (900, 1800 & 190MHz)
- 2 SMA connectors for mobile antenna

LAN Interfaces

- 4 port switch 10/100/1000BASE-T auto-sense
- Automatic cross-over
- RJ-45 connectors

Wireless LAN (factory option)

- Dual mode IEEE 802.11b/g/n
- Two detachable antennas
- WMM QoS
- Encryption options WEP, WPA 1.2 (TKIP) and WPA 2.0 (802.11i, AES-CCMP)
- Authentication options WPA-PSK (pre-shared key) and 802.1x with a RADIUS server (PEAP, EAP-SIM, EAP-TLS and EAP-TTLS)

AppInside optional applications

- PacketSmart *
- NetBooster * & **
- 3rd party applications based on commercial agreement
- Optional SD Card for additional memory

Console port

- RS232 – RJ-45 port

Performance

- 440Kpps
- 150Mbps recommended WAN speed

IP Addressing & Routing

- IPv4 and IPv6
- NAT/NAPT: static/dynamic NAT, NAPT, selective NAT, twice NAT, Application pass-through
- DHCP client, server, relay. IP helper addresses
- DNS proxy. DNS server update protocol: DynDNS

- Routing protocols: RIP v1/v2, OSPF v2, BGP v4
- Multicast Routing: PIM-SM and IGMP v2/v3
- Policy-Based Routing
- VRRP, VRF
- Server load balancing

IP Quality of Service

- IP Classification and priority (DiffServ)
- Class-Based Queuing (CBQ), CB-WFQ
- Low Latency Queuing, fragmentation and interleaving
- Policing, shaping and remarking
- RED, WRED, ECN

Security

- Firewall with stateful packet inspection
- Standard and extended access lists
- Session monitoring and limiting
- Configurable timers per port and application
- Zone Based Firewall with ASIP*

IP VPNs

- IPsec, GRE, IPIP, L2TP
- IPsec encryption: AES, DES, 3DES
- IPsec tunnel and transport mode IKE and PKI, AH and ESP with SHA1 and MD-5 hashing
- UDP-based encapsulation for NAT traversal
- IKE with pre-shared keys & certificates
- Easy VPN Client & Easy VPN Server *
- GET VPN *

Bridging and VLANs

- Bridging & Integrated Routing and Bridging (IRB)
- VLAN tagging and un-tagging
- Multiple VLAN IDs per port
- 802.1p priority tagging, TOS/COS and COS/TOS mapping

Management

- Industry standard Command Line Interface (CLI)
- Telnet, SSH, HTTPS
- Web-based configurator for LAN and WLAN
- SNMP V1/V2C/V3
- Support of user privileges
- FTP/TFTP upload/download configuration and binaries
- QoS measurement probe
- Traceroute, ping, extended ping
- User authentication via RADIUS or TACACS+
- RADIUS accounting
- Global statistics screens (console, web-based). Event and trace buffering
- Syslog client
- Flow capture and decoding

Dimensions & Environmental

- Desktop, wall mountable
- Metal housing, max weight 1,5kg
- W x H x D: 275 x 50 x 145mm for versions without mobile uplink
- W x H x D: 275 x 53 x 147mm for versions with mobile uplink
- Operating temperature: 0 - 45°C
- Humidity: 10 - 90% non condensing

Power supply

- External adapter 12V – 3A
- Voltage range: 90-264 VAC – 50/60 Hz
- Power consumption: <35 W

* Subject to a separate license

** Contact Product Management for availability